

04-20-00

A

PATENT APPLICATION  
Attorney Docket No.: 99-230  
Date: 4/19/00

Assistant Commissioner for Patents  
Washington, D.C. 20231  
ATTN: BOX PATENT APPLICATION

Jc804 U.S. PTO  
04/20/00

NEW APPLICATION TRANSMITTAL

Transmitted herewith for filing is the patent application of  
Inventor(s): Michael J. Berman  
For (title): Determination of Film Thickness During Chemical Mechanical  
Polishing


Jc542 U.S. PTO  
09/553140  
04/20/00

Enclosed are:

- 4 sheet(s) of drawings. (FORMAL)
- An Assignment of the invention to LSI Logic Corporation
- Declaration enclosed.
- Material information pursuant to 37 CFR §1.56.
- It is expressly requested that the U.S. Patent and Trademark Office commence national processing of the above-entitled international application under the provisions of PCT Article 23(2) and 35 USC 371(f).
- Return Postcard

Correspondence Address:

Ralph R. Veseli  
LSI Logic Corporation  
M/S D-106  
1551 McCarthy Boulevard  
Milpitas, California 95035

  
Attorney for Agent of Record

Bruce J. Bowman  
Reg. No. 35,458

The filing fee has been calculated as shown below:

CLAIMS AS FILED

FOR	NUMBER FILED	NUMBER EXTRA	RATE	FEE
TOTAL CLAIMS	28 - 20 =	8	x \$18	144.00
INDEPENDENT CLAIMS	4 - 3 =	1	x \$78	78.00
			BASIC FEE	\$760.00
			FILING FEE	\$982.00

- The Commissioner is hereby authorized to charge any fees under 37 CFR §1.16 and 1.17 which may be required during the pendency of the application to Deposit Account No.13-0014.

"Express mail" mailing label number EL299951282 US Date of Deposit April 19, 2000  
I hereby certify that this correspondence is being deposited with the United States Postal Service "Express Mail Post Office to Addressee" service under 37 CFR §1.10 on the date indicated above and is addressed to the Commissioner of Patents and Trademarks, Washington, D.C. 20231.

Bruce J. Bowman  
(Name of person mailing application)

  
(Signature of person mailing application)

04/20/00

# DETERMINATION OF FILM THICKNESS DURING CHEMICAL MECHANICAL POLISHING

## BACKGROUND OF THE INVENTION

### Field of the Invention

The present invention relates to the manufacture of semiconductor devices and, more particularly, to thickness detection systems used during chemical-mechanical polishing of an integrated circuit substrate.

### Description of the Prior Art

In certain technologies, such as integrated circuit fabrication, optical device manufacture, and the like, it is generally crucial to the various fabrication processes for the workpiece from which the integrated circuit, optical or other device is to be formed have a substantially planar front surface and, for certain applications, have both a planar front surface and back surface.

One process for providing a planar surface is commonly referred to as mechanical polishing. In mechanical polishing, the surface of the substrate is scoured with a conformable polishing pad. When a chemical slurry is used in conjunction with the polishing pad, the combination of the chemical slurry and the polishing pad generally provides a higher material removal rate than is possible with mere mechanical polishing. This combined chemical and mechanical, commonly referred to as "CMP", is considered an improvement over mere mechanical polishing processes for polishing or planarizing substrates.

The CMP technique is common for the manufacture of semiconductor wafers used for the fabrication of integrated circuit die.

CMP typically involves mounting a semiconductor wafer (substrate) face down on a holder and rotating the wafer against a polishing pad mounted on a platen or a belt. The platen is, in turn, rotated or in an orbital state. A slurry containing a chemical that chemically interacts with the facing wafer layer and an abrasive that physically removes that layer is caused to flow between the wafer and the polishing pad or on the pad near the wafer. This technique is commonly applied to planarize metalization layers in the semiconductor wafer, but is applicable to oxide layers or films on the wafer such as silicon dioxide.

Device geometries for semiconductor integrated circuits are becoming increasingly smaller. As a result, the smaller devices tend to cause a variety of problems. One such problem is the contact via alignment between an upper conductive layer and a lower conductive layer. The contact alignment problem between these conductive layers is often caused by a non-uniform inter-dielectric layer therebetween. The non-uniform inter-dielectric layer is often characterized by peaks and valleys defined in the layer surface. This in turn causes other fabrication problems with each succeeding layer. The CMP process is used to reduce these layer non-uniformities.

In the CMP process, it is critical to utilize end-point detection to determine when and how much of the desired film is removed and to terminate the polishing process, thus minimizing the damage to the device performance that overpolishing will cause. The problem with overpolishing is that the film will be



wafers, or wafers with relatively simple film stacks, such as shallow trench isolation, or potentially the first oxide dielectric over a gate metal. However, there are no end-point systems than can reliably end-point polish in production after two, three, four, five, or more layers of metal (i.e. complex film stacks) have been processed.

Currently, all of the oxide end-point systems currently used in production, are optically based. Of these optically based systems, some use broad band visible light, such as IPEC, Speedfam, and Lam, while other systems use a single wavelength laser system such as AMAT. These systems use some form of either through the pad or off the pad optical sensing that have several features in common which prohibit them from measuring thickness on complex film stacks.

A problem with these systems is trying to determine the appropriate signal by reading an area of the semiconductor from a few square millimeters to a few square centimeters. The signal coming from this area will be quite complex, since it can have up to and over a dozen different oxide thicknesses in the area under evaluation. Currently, there are no CMP systems that are capable of accurately performing end-point on semiconductors with a plurality of different oxide thicknesses.

Another problem with the above optical systems is the rate at which the systems operate. Typically, the semiconductor wafer surface is moving at a radial velocity that translates to up to a few hundred linear feet per minute. Such



In another form, the present invention is an apparatus for determining layer thickness of a substrate during CMP of the substrate including: a) a high speed imager adapted to acquire images of areas of the substrate in situ; b) a processing unit in electronic communication with the high speed imager; and c) memory in electronic communication with the processing unit and containing a plurality of instructions. The plurality of instructions which, when executed by the processing unit, causes the processing unit to: a) compare images acquired by the high speed imager to image patterns stored in the memory device; and b) convert an acquired image into a layer thickness measurement when the acquired image corresponds to a predetermined one of the image patterns stored in the memory device.

#### BRIEF DESCRIPTION OF THE DRAWINGS

The above-mentioned and other features and advantages of this invention, and the manner of attaining them, will become more apparent and the invention will be better understood by reference to the following description of an embodiment of the invention taken in conjunction with the accompanying drawings, wherein:

Fig. 1 is a view of a CMP tool in accordance with a preferred embodiment of the present invention;

Fig. 2 is a flow chart of a method for determining film thickness in accordance with an embodiment of the present invention;

Fig. 3 is a flow chart of another method for determining film thickness in accordance with another embodiment of the present invention; and

Fig. 4 is a cross-sectional view of a portion of a five layer metal substrate.

Corresponding reference characters indicate corresponding parts throughout the several views. The exemplifications set forth herein illustrate several embodiments of the present invention including a preferred embodiment of the invention, in one form, and such exemplifications are not to be construed as limiting the scope of the invention in any manner.

#### DETAILED DESCRIPTION OF THE INVENTION

With reference now to Fig. 1, there is shown a chemical-mechanical polishing (hereinafter "CMP") tool 10 in accordance with the principles of the present invention. The CMP tool 10 is an electrically active wafer/substrate carrier that is employed to provide adjustment to the thickness of a layer or film of a wafer or layers or films during CMP operations. The CMP tool 10 includes a wafer carrier 12 that is employed to retain a wafer or substrate 14 for CMP operations. The wafer carrier 12 is adapted to be rotated as indicated by the arrow 15, which results in the rotation of the substrate 14. The wafer carrier 12 and thus the substrate 14 is rotating at a high velocity which translates to speeds up to a few hundred linear feet per minute.

In the CMP tool 10 depicted in Fig. 1, the substrate 14 adheres to the wafer carrier 12 by the use of a vacuum applied to the back of the substrate 14. The wafer carrier 12 includes a wafer carrier vacuum line 16 that provides a



vacuum for causing the substrate 14 to adhere to the wafer carrier 12 during CMP operations. The CMP tool 10 may be used to process a number of different types of wafers or substrates. Most commonly, the CMP tool 10 is used to process a semiconductor wafer such as a silicon wafer typically having one or more oxide layers or films. The oxide layer(s) or film(s) may consist of silicon dioxide or the like. It should be appreciated, however, that other types of wafers/substrates and layers/films may be used with the CMP 10 and the principles of the present invention disclosed herein.

Referring to Fig. 4, there is shown a cross-sectional view of a portion of a multiple layer (specifically a five layer) metal (5LM) substrate 100 of the type polished/planarized by the CMP 10. It should be appreciated that the substrate 100 is exemplary of a typical multiple layer substrate (here a  $\rho$ -substrate having an  $\eta$ -well and a  $\rho$ -well) whose layer thickness or end-point is to be determined by the present invention. As well, it should be appreciated that the portion of substrate 100 shown is only a few microns wide.

The 5LM substrate 100 includes a plurality of horizontal oxide layers labeled OX1, OX2, OX3, OX4, OX5, and OX6. Interspersed over the various oxide layers are a plurality of metal boxes or layers that can be labeled B1, B2, B3, B4, and B5 (as boxes) or M1, M2, M3, M4, and M5 (as layers). The horizontal length and placement of each metal layer or box is dependent upon design. The 5LM substrate 100 also includes a plurality of vias in each of the oxide layers, some of the vias of which are labeled (i.e. V1, V2, V3, V4, and V5).

This is a typical exemplary structure for a substrate that will be "read" by the present invention.

Referring to back to Fig. 1, a wafer carrier back pressure air supply line 18 is connected to the wafer carrier 12. The back pressure air supply line 18 supplies a specified pressure of air to counteract the bow induced by the wafer carrier vacuum used to hold the substrate 14 in place on the wafer carrier 12. Both the carrier vacuum and the back pressure may be applied at the same time.

The CMP tool 10 also includes a polishing platen 20 that also rotates during CMP operation as indicated by the arrow 21. The polishing platen 20 retains a polishing pad 22 and rotates this polishing pad 22 during CMP operation. A polish slurry line 24 is provided to apply a polish slurry as is known in the art to the polishing pad 22 during CMP operation. The polish slurry and the polishing pad 22 are used to polish a substrate such as substrate 14.

The CMP tool 10 further includes an in situ image acquisition (imager) unit 26 employed to obtain images of the substrate 14 during CMP operation. Specifically, the in situ image acquisition unit 26 obtains images of the layers or films of oxides and the like on one side of the substrate 14. Alternatively, CMP operation may be periodically halted for obtaining images using the in situ image acquisition unit 26. The in situ image acquisition unit 26 may take several forms each of which can be described with reference to Fig. 1.

It should be appreciated that the position of the image acquisition unit 26, as shown in Fig. 1 is not absolute. The image acquisition unit 26 can be positioned just inside or outside of the polishing pad 22. The substrate 14 or

wafer would then be moved over the inside or outside of the polishing pad 22 for a reading (image acquisition) by the image acquisition unit 26.

In one form, the in situ image acquisition unit 26 is a high speed image acquisition system. According to one embodiment of the in situ image acquisition unit 26, there is included a light source 28 and a high speed camera/sensor 30. The high speed camera 30 may be any type of high speed camera such as a high speed digital (e.g. CCD) and/or analog camera such as ones made by EG&G and Kodak. The light source 28 is adapted and/or configured to produce and/or project a light beam 32 towards a window 34 in the polishing platen 20 and a corresponding window 36 in the polishing pad 22. The light beam 32 is reflected (denoted by the reflection beam 33), at least in part, off of the substrate 14, through the windows 36 and 34, and back to the high speed camera 30. In the depicted example, the window 36 in the polishing pad 22 should be filled in with a flexible plastic or other similar material to provide a continuous surface for the polishing slurry to flow over during the polishing operation. The high speed camera 30 is thus able to acquire or capture high resolution images of areas or portions of the substrate 14 by virtue of its high speed nature.

According to another embodiment of the in situ image acquisition unit 26 and still referring to Fig. 1, there is provided a coherent light source 28 (e.g. laser) and a conventional speed camera/sensor 30. The conventional speed camera 30 may be any type of conventional speed camera such as a digital (e.g. CCD) and/or analog camera as are known in the art. The coherent light source

28 is adapted and/or configured to produce and/or project short pulses of a coherent light beam 32 towards a window 34 in the polishing platen 20 and a corresponding window 36 in the polishing pad 22. Each short pulse of the coherent light beam 32 is reflected (denoted by the reflection beam 33), at least in part, off of the substrate 14, through the windows 36 and 34, and back to the conventional speed camera 30. In the depicted example, the window 36 in the polishing pad 22 should be filled in with a flexible plastic or other similar material to provide a continuous surface for the polishing slurry to flow over during the polishing operation. The conventional camera 30 thus acquires or captures high resolution images of the substrate 14 through the use of the high speed (short pulses) of coherent light from the coherent light source 28.

According to yet another embodiment of the in situ image acquisition unit 26 and still referring to Fig. 1, there is provided a short duration light source 28 and a conventional speed camera/sensor 30. The short duration light source 28 is preferably a broad band light source, such as a flash lamp, having a wavelength from 300nm to 900nm to provide a very short duration light. The conventional speed camera 30 may be any type of conventional speed camera such as a digital (e.g. CCD) and/or analog camera as are known in the art. The short duration light source 28 is adapted and/or configured to produce and/or project short pulses of a broad band light beam 32 towards a window 34 in the polishing platen 20 and a corresponding window 36 in the polishing pad 22. Each short pulse of the broad bad light beam 32 is reflected (denoted by the reflection beam 33), at least in part, off of the substrate 14, through the windows

36 and 34, and back to the conventional speed camera 30. In the depicted example, the window 36 in the polishing pad 22 should be filled in with a flexible plastic or other similar material to provide a continuous surface for the polishing slurry to flow over during the polishing operation. The conventional camera 30 thus acquires or captures high resolution images of the substrate 14 through the use of the high speed (short pulses) of light from the broad band light source 28.

In the case that the image acquisition unit 26 is on the inside or outside of the polishing pad 22 as indicated above, it may not be necessary to have windows 34 and 36 in order to capture images of the substrate 14. By moving the substrate 14 relative to the polishing pad 22 or vice versa the image acquisition unit 26 may obtain the necessary images without the windows 34 and 36.

In all of the above forms of the in situ image acquisition system 26, the camera 30 is in communication with a processing unit 38 via a communication/data line 42. The processing unit 38 includes a processor and associated processing circuitry 48 of which are known in the art, that is in communication with a memory device 50 as is known in the art. The memory device 50 contains a plurality of substrate image patterns and/or encoded data files of substrate image patterns. Additionally, the memory device 50 contains program instructions that are executable by the processor and associated processing circuitry 48 which allows the processing unit 38 to perform conventional pattern recognition for each of the substrate images acquired by

the camera/sensor 30 with or against the substrate images stored in the memory device 50.

The memory device 50 of the processing unit 38 further includes layer thickness measuring program instructions (program) that are executable by the processor and associated processing circuitry 48. The layer thickness measuring program, such as one available from IPEC Precision, is able to convert individual pixels of the image into a thickness measurement. In this manner, the thickness of a particular area or portion of the substrate may be measured once a particular area or portion is ascertained.

The processing unit 38 is in communication with a wafer carrier driver module 40 via a communication/data line 44, while the driver module 40 is in turn in communication with the wafer carrier 12 via a communication/data line 46. The driver module 40 receives signals from the processing unit 38 which it uses to control the location and/or movement of the wafer carrier 12. The processing unit 38 generates appropriate signals that are transmitted to the driver module 40 as the processing unit 38 determines whether an image acquired by the camera 30 matches a stored pattern.

In Fig. 4, the various arrows labeled R1, R2, R3, R4, R5, and R6 represent readings of the substrate taken by the present invention, with the number associated with the letter corresponding to the number of oxide layers that the present invention will read in the vertical direction. The number of oxide layers read depends on whether there is a metal layer in the oxide. Once a metal layer or box is encountered (i.e. detected by the present invention) the

number of oxide layers is determined. Locating the proper box by the present invention allows a reading to be made.

It should be appreciated that the in situ image acquisition unit 26 may be placed anywhere as long as the camera and/or light beam and sensor can obtain or capture images of the substrate 14. Thus, the windows 34 and 36 in the polishing platen 20 and the polishing pad 22 respectively, may or may not be necessary depending on the location of the in situ image acquisition unit 26.

With additional reference to Fig. 2, the operation of the embodiments of the present invention described above will be discussed. In Fig. 2, there is depicted a flow chart generally designated 60 of a method for determining layer or film thickness of an area or portion of the substrate 14, and/or an end-point of the CMP process. In block 62, CMP operation is commenced. As the CMP operation progresses, the camera 30 acquires or obtains an image of a portion or area of the substrate 14, block 64. The acquired image is transmitted to the processing unit 38 where it is compared with substrate image patterns (i.e. pattern recognition) stored in the memory device 50, block 66. In block 68 a decision is made as to whether the acquired image matches a particular stored image pattern. If the acquired image does not match the particular stored image pattern, then more images are acquired, block 64.

If the acquired image does match the particular stored image pattern, the acquired image is analyzed to determine the thickness of the layer(s), block 70. If the thickness is determined to be greater than that necessary for ending the CMP process, the CMP process continues and additional images are acquired,

i.e. a return to block 64. If, however, the thickness is determined to be within a tolerance level for the particular area of the substrate 14, then CMP operation is stopped, block 74.

It should be appreciated that the particular stored image pattern is selectable by the user depending on what area of the substrate 14 is to be measured. This may be accomplished via an interface (not shown) with the processing unit 38. As well, the desired thickness tolerances or exact measurements are selectable by the user. In this manner, any area or portion of the substrate 14 may be measured and CMP operation continued or stopped depending on the measurement.

Each time the proper box (metal layer length) is located and a reading is taken, preferably an estimate is calculated by the processing unit 38 as to when endpoint will occur to close in on the right time. If a reading is taken every five to ten seconds, the CMP 10 can be stopped at the correct time based on the previous reading of the wafer. If the exact reading is acquired or one under the correct value, overpolishing can be minimized.

With reference again to Fig. 1, another embodiment of the present invention will now be described. In this embodiment, the light source 28 is a coherent light source (i.e. a laser) that projects a coherent light beam 32 onto the substrate 14. The coherent light beam reflection 33 falls onto a sensor 30 of the image acquisition unit 26. The reflected coherent light beam 33 represents an interference pattern for the wavelength of the laser light and the thickness of the film(s) of the substrate 14. The images acquired by the sensor 30 are forwarded



to the processing unit 38 which contains data relative to reflection patterns for the laser light and the thickness of the film(s). Thus, reflective changes in the reflected coherent light beam 33 indicate changes in film thickness.

With additional reference to Fig. 3, the operation of the immediately preceding embodiment of the present invention will be discussed. In Fig. 3, there is depicted a flow chart generally designated 80 of a method for determining layer or film thickness of an area or portion of the substrate 14, and/or an end-point of the CMP process. In block 82 CMP operation begins. As the CMP operation progresses, the sensor 30 acquires or obtains reflection images of a portion or area of the substrate 14, block 84. The acquired image is transmitted to the processing unit 38 where it is compared with substrate reflection image patterns stored in the memory device 50, block 86. In block 88 a decision is made as to whether the acquired reflection image matches a particular stored reflection image pattern. If the acquired image does not match the particular stored image pattern, then more reflection images are acquired, block 84.

It should be appreciated that instead of reflection patterns stored in the memory device 50, program instructions regarding data calculations of reflection patterns may be stored and subsequently used to determine film thickness depending on the reflection patterns acquired by the sensor 30.

Continuing with the program flow chart 80, if the acquired reflection image does match the particular stored image pattern, the thickness of the film(s) of the

reflection area of the acquired image is determined, then CMP operation is stopped, block 90.

Each time the proper box (metal layer length) is located and a reading is taken, preferably an estimate is calculated by the processing unit 38 as to when endpoint will occur to close in on the right time. If a reading is taken every five to ten seconds, the CMP 10 can be stopped at the correct time based on the previous reading of the wafer. If the exact reading is acquired or one under the correct value, overpolishing can be minimized.

It should also be appreciated that the methods described above with reference to Figs. 2 and 3 may be modified to the extent that images/reflections are obtained and compared to stored patterns, images, reflections, or the like, or calculated as necessary.

While this invention has been described as having a preferred design and/or configuration, the present invention can be further modified within the spirit and scope of this disclosure. This application is therefore intended to cover any variations, uses, or adaptations of the invention using its general principles. Further, this application is intended to cover such departures from the present disclosure as come within known or customary practice in the art to which this invention pertains and which fall within the limits of the appended claims.









delivering a pulse of light from a coherent light source onto the substrate;  
and  
utilizing a conventional camera system.

18. The method of claim 17, wherein said coherent light source comprises a laser.

19. The method of claim 15, wherein the step of acquiring images of the substrate includes the steps of:

delivering a pulse of light from a broad band light source onto the substrate; and

utilizing a conventional camera.

20. The method of claim 19, wherein said broad band light source comprises a flash lamp.

21. The method of claim 15, wherein the step of converting a corresponding acquired image into a thickness measurement includes the step of converting pixels of the corresponding acquired image into layer thickness.

22. The method of claim 15, wherein said determination of end-point during CMP of a substrate is performed in situ.

23. An apparatus for determining end-point during CMP of a substrate comprising:

a high speed imager configured to acquire images of the substrate in situ;

a processing unit in electronic communication with said high speed imager;

a memory device in electronic communication with said processing unit and containing a plurality of instructions which, when executed by said processing unit, causes said processing unit to:

compare images of the substrate acquired by said high speed imager to image patterns stored in said memory device;

convert an acquired image into a layer thickness measurement when said acquired image corresponds to a selected image pattern stored in said memory device; and

stopping CMP when the layer thickness measurement equals a predetermined value indicating end-point.

24. The apparatus of claim 23, wherein said high speed imager comprises:

a pulsed, coherent light source; and

a conventional camera.



25. The apparatus of claim 24, wherein said coherent light source comprises a laser.

26. The apparatus of claim 23, wherein said high speed imager comprises:

a conventional light source; and

a high speed camera.

27. The apparatus of claim 23, wherein said high speed imager comprises:

a pulsed, broad band light source; and

a conventional camera.

28. The apparatus of claim 27, wherein said broad band light comprises a flash lamp.

## ABSTRACT OF THE DISCLOSURE

A method and apparatus is provided for determining thickness of films or layers during chemical-mechanical planarization/polishing (CMP) of a semiconductor substrate or wafer in situ. The method may be used to determine end-point during CMP especially of oxide films deposited on the substrate or wafer. In one embodiment, the method includes: a) capturing images of the surface of the substrate using high speed imaging; b) performing pattern recognition on the captured images; c) selecting one of the captured images based on the pattern recognition; and d) converting the selected image into a thickness measurement. In one form, the high speed imaging comprises a high speed camera, while in another form, the high speed imaging comprises a conventional camera and a laser pulse or flash tube. In yet another embodiment, reflective laser interference patterns of the substrate are captured and analyzed for interference pattern changes that can signal a practical end-point.

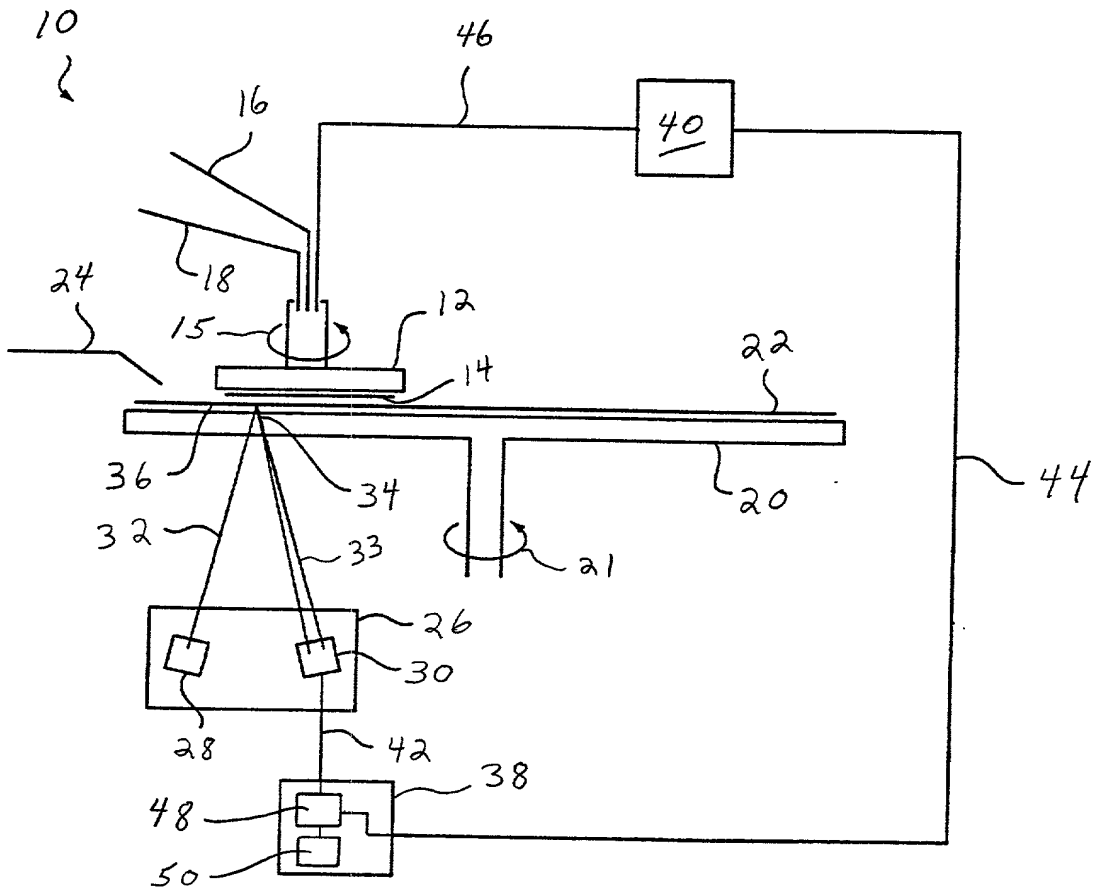


Fig. 1



Copyright © 2004 Intel Corporation

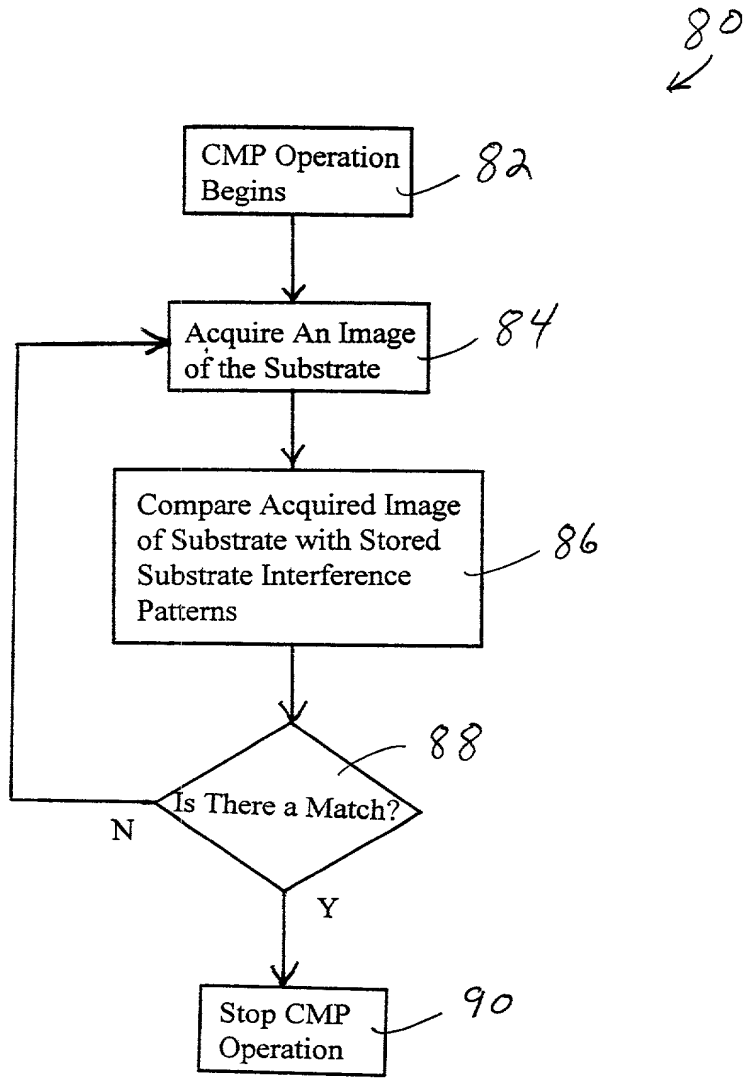


Fig. 3

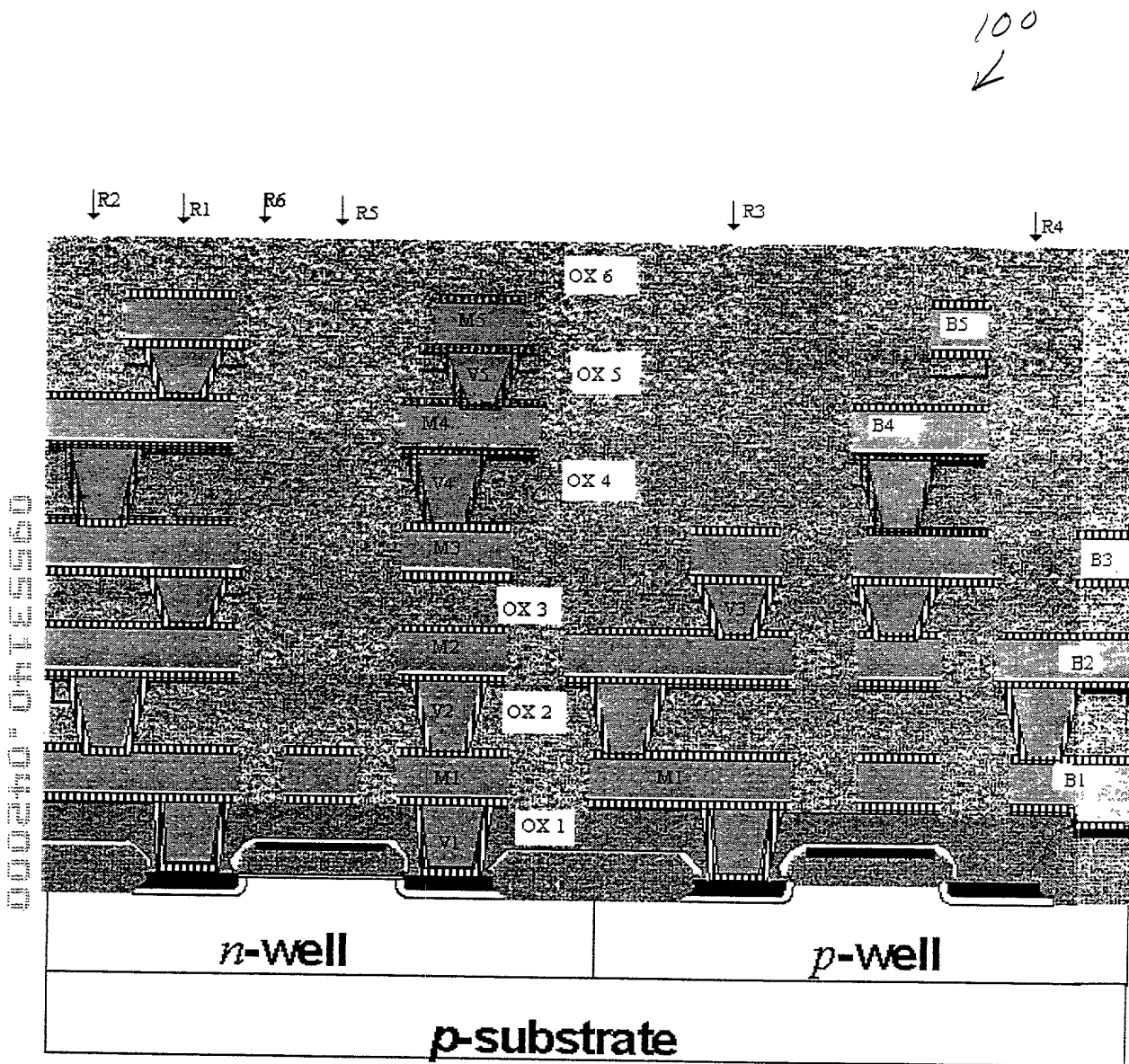


Fig. 4

Attorney Docket No.: 99-230

PATENT

### DECLARATION, POWER OF ATTORNEY, AND PETITION

As a below named inventor, I hereby declare that:

My residence, post office address, and citizenship are as stated below next to my name.

I believe I am the original, first, and sole inventor (if only one name is listed below) or an original, first, and joint inventor (if plural names are listed below) of the subject matter which is claimed and for which a patent is sought on the invention entitled "DETERMINATION OF FILM THICKNESS DURING CHEMICAL MECHANICAL POLISHING", the specification of which:

X  is attached hereto.  
\_\_\_\_\_ was filed on \_\_\_\_\_ as Application Serial No. \_\_\_\_\_, and was amended on \_\_\_\_\_  
(if applicable)

I hereby state that I have reviewed and understand the contents of the above identified specification, including the claims, as amended by any amendment referred to above.

I acknowledge the duty to disclose information which is material to the examination of this application in accordance with Title 37, Code of Federal Regulations, § 1.56(a).

I hereby claim foreign priority benefits under Title 35, United States Code, § 119 of any foreign application(s) for patent or inventor's certificate listed below and have also identified below any foreign application for patent or inventor's certificate having a filing date before that of the application on which priority is claimed:

PRIOR FOREIGN APPLICATION(S)

Priority Claimed

Yes \_\_\_ No \_\_\_

(Number) (Country) (Date Filed)

Yes \_\_\_ No \_\_\_

(Number) (Country) (Date Filed)

I hereby claim the benefit under Title 35, United States Code, § 120 of any United States application(s) listed below and, insofar as the subject matter of each of the claims of this application is not disclosed in the prior United States application in the manner provided by the first paragraph of Title 35, United States Code, § 112, I acknowledge the duty to disclose material information as defined in Title 37, Code of Federal Regulations, § 1.56(a), regarding events which occurred between the filing date of the prior application and the national or PCT international filing date of this application:

(Application Serial No.) (Filing Date) (Status)

(Application Serial No.) (Filing Date) (Status)

I hereby declare that all statements made of my own knowledge are true and that all statements made on information and belief are believed to be true; and further that these statements were made with the knowledge that willful false statements and the like so made are punishable by fine or imprisonment, or both, under Section 1001 of Title 18 of the United States Code and that such willful false statements may jeopardize the validity of the application or any patent issued thereon.

I hereby appoint David G. Pursel, Reg. 28,659; Ralph R. Veseli, Reg. 33,807; Bruce R. Hopenfeld, Reg. 39,714; and Sandeep Jaggi, Reg. 43,331; Paul J. Maginot, Reg. 34,984; Bradford G. Addison, Reg. 41,486, Harold C. Moore, Reg. 37,892; Bruce J. Bowman, Reg. 35,458; Shawn D. Bauer, Reg. 41,603; Gerald W. Roberts, Reg. No. 45,046 as my attorneys with full power of substitution and revocation, to prosecute this application and to transact all business in the U.S. Patent and Trademark Office connected therewith and before competent international authorities.

